



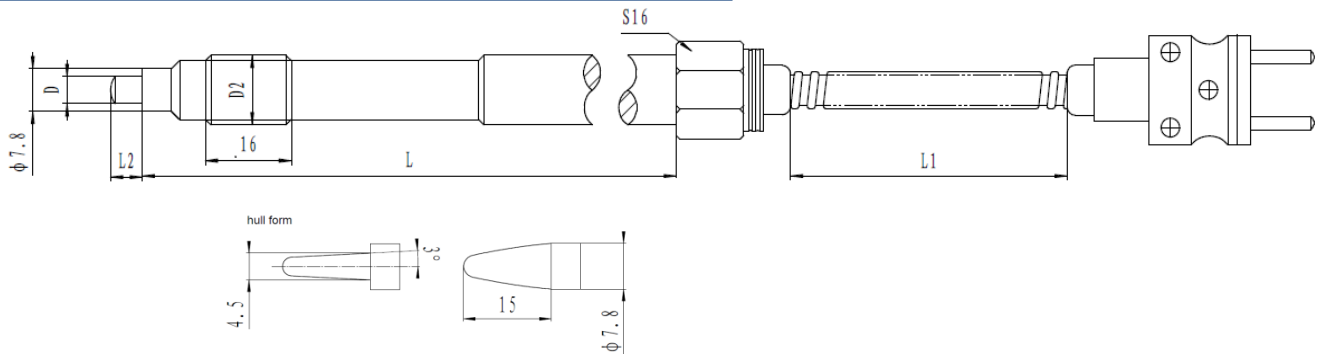
- Good shock resistant
- High pressure endurable
- Good stability
- High accuracy
- Various of manners of installation
- Thermocouple Type : K, E, J
- Flexible body stem
- Customized design
- Our diaphragm is 316S corrugated
- Temperature measurement ranges
-50°C.....1200°C
- Process connection Standart 1/2"-20UNF,
Optional M14x1.5

MTT series thermocouple transducers are usable for rubber, plastic machine etc. MTT-E.J.K series adapt plastic melt temperature of extruder barrel to measure. In structure, adopted durable stainless steel probe. Interchangeable with melt pressure transducer, easy to install.

Technical Specification

Thermocouple	J Type Thermocouple (Fe-CuNi) Optional "E, K" type or PT100
Maximum Temperature	0-500°C
Electrical Connection	Socket
Process Connection	½ - 20 UNF standard or M14 x 1.5
Case	Stainless Steel
Protection Class	IP 65
Mass	500 Gr

Mechanical Dimensions



Order Coder

Model No

M T T - J - 1/2 - 6 - 4 - 1



Thermocouple Type

J : "J" Type
E : "E" Type
K : "K" Type
RTD : PT100

Rigid Length

6 : 4" / 152 mm
9 : 6" / 230 mm
12 : 12" / 305 mm
15 : 15" / 3810 mm

Probe Type

Blank : Flat
1 : Round
2 : Hull Form

Mechanical Connection

1/2 : ½"20 UNF
M14 : Metric 14 (M14 x 1,5)

Flexible Length

Blank : Rigid Stem
4 : 102 mm
18 : 460 mm

Included In Delivery

1 Connector